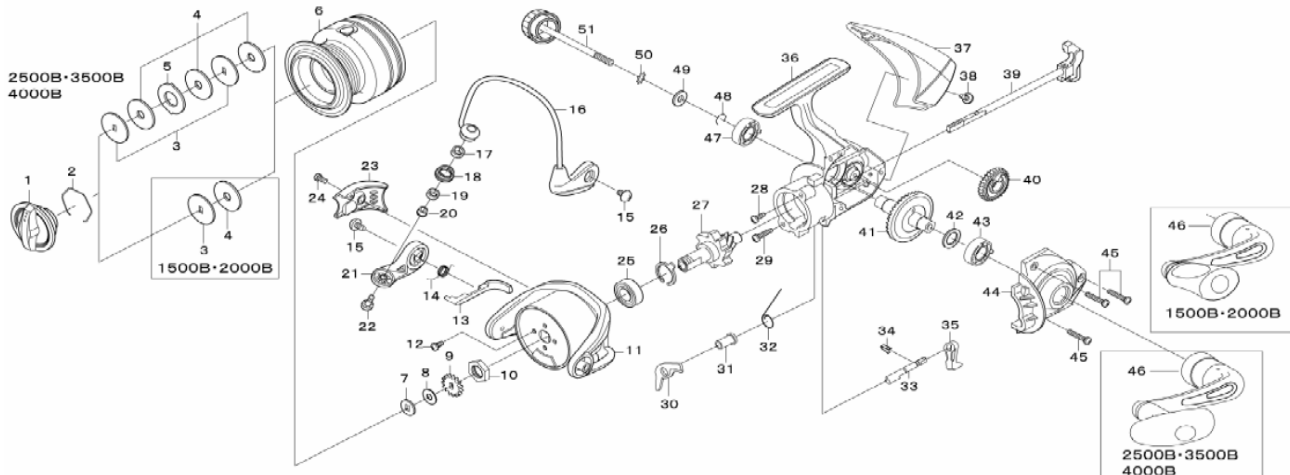


SWEEPFIRE 1500B/2000B/2500B/3500B/4000B



The "Click Gear" (Part no.9) may also be used as a spool adjustment. In the event there are two "Click Gear", please make sure, when disassembling that while reassembly the gear direction runs identical.

Key No.	1500B Parts No.	Parts Name	2000B Parts No.	2500B Parts No.	3500B Parts No.	4000B Parts No.
1	G89-2001	Drag Knob	G89-2001	G89-2001	G89-2001	G89-2001
2	F37-3301	Drag Washer Retainer	F37-3301	F37-3301	F37-3301	F37-3301
3	E46-7201	Key Washer	E46-7201	E46-7201	E46-7201	E46-7201
4	E13-6001	Drag Washer	E13-6001	E13-6001	E13-6001	E13-6001
5	-	Eared Washer	373-3605	373-3605	373-3605	373-3605
2-6	H02-3701	Spool Assembly	H02-3901	H02-4201	H02-4801	H02-4601
7	E46-7101	Washer(A)	E46-7101	E46-7101	E46-7101	E46-7101
8	E39-8000	Washer (B)	E39-8000	E39-8000	E39-8000	E39-8000
9	G83-9301	Click Gear	G83-9301	G83-9301	G83-9301	G83-9301
10	G12-3301	Rotor Nut	G12-3301	G12-3301	G12-3301	G12-3301
11	G86-1107	Rotor	G86-1107	G84-1908	G84-4107	G84-4107
12	G62-7701	Screw (A)	G62-7701	G62-7701	G62-7701	G62-7701
13	G86-1201	Bail Trip Lever	G86-1201	G84-2001	G84-4201	G84-4201
14	F77-7901	Bail Spring	F77-7901	F80-0701	F80-0701	F80-0701
15	G20-5001	Screw (B)	G20-5001	G20-5001	G20-5001	G20-5001
16	G89-0201	Bail Assembly	G89-0201	G89-2201	G90-6701	G90-6701
17	G87-4201	Collar(A)	G87-4201	G87-4201	G87-4201	G87-4201
18	F62-5002	Line Roller	F62-5002	F62-5002	F62-5002	F62-5002
19	G87-4301	Collar (B)	G87-4301	G87-4301	G87-4301	G87-4301
20	G15-2502	Collar (C)	G15-2502	G15-2502	G15-2502	G15-2502
21	G83-8801	Bail Arm	G83-8801	G83-8801	G83-8801	G83-8801
22	G19-5602	Screw(C)	G19-5602	G19-5602	G19-5602	G19-5602
23	G86-1302	Cover (A)	G86-1302	G84-2102	G84-4302	G84-4302
24	G27-0801	Screw (D)	G27-0801	G27-0801	G27-0801	G27-0801
25	G83-6901	Ball Bearing	G83-6901	G83-6901	G83-6901	G83-6901
26	G97-2601	Cam	G97-2601	G97-2601	G97-2601	G97-2601
27	G98-0802	Pinion Gear	G98-0802	G98-0801	G98-6401	G98-6401
28	G41-0601	Screw(E)	G41-0601	G41-0601	G41-0601	G41-0601
29	G98-0501	Screw (F)	G98-0501	G98-0501	G98-0501	G98-0501
30	G98-1201	Anti-Reverse Pawl	G98-1201	G98-1201	G98-1201	G98-1201
31	G98-1001	Anti-Reverse Pawl Collar	G98-1001	G98-1001	G98-1001	G98-1001
32	G98-1101	Anti-Reverse Pawl Spring	G98-1101	G98-1101	G98-1101	G98-1101
33	G98-0701	Anti-Reverse Cam	G98-0701	G98-0701	G98-0701	G98-0701
34	G83-6401	Anti-Reverse Cam Spring	G83-6401	G83-6401	G83-6401	G83-6401
35	G92-7001	Anti-Reverse Lever	G92-7001	G92-7001	G92-7001	G92-7001
36	G98-4103	Body	G98-4103	G97-5803	G98-6203	G98-6203
37	G98-5001	Rear Cover	G98-5001	G97-7801	G98-6601	G98-6601
38	G27-0801	Screw(G)	G27-0801	G27-0801	G27-0801	G27-0801
39	G86-0601	Main Shaft	G86-0601	G84-1401	G84-3501	G84-3501
40	G98-5101	Oscillating Gear	G98-5101	G84-1301	G98-6301	G98-6301
41	G90-8601	Drive Gear	G90-8601	G90-8601	G92-4301	G92-4301
42	373-7800	Washer (C)	373-7800	373-7800	373-7800	373-7800
43	G88-9301	Collar (D)	G88-9301	G88-9301	G88-9301	G88-9301
44	G98-4903	Side Cover	G98-4903	G97-5903	G98-6503	G86-6503
45	G11-5001	Screw(H)	G11-5001	G11-5001	G11-5001	G11-5001
46	H02-3201	Handle Assembly	H02-3201	H02-4101	H02-4401	H02-4401
47	G88-9301	Collar (E)	G88-9301	G88-9301	G88-9301	G88-9301
48	G52-5101	Bearing Retainer	G52-5101	G52-5101	G52-5101	G52-5101
49	G86-3901	Washer(D)	G86-3901	G86-3901	G86-3901	G86-3901
50	160-8101	Washer(E)	160-8101	160-8101	160-8101	160-8101
51	G83-9802	Handle Screw	G83-9802	G83-9802	G83-9804	G83-9804